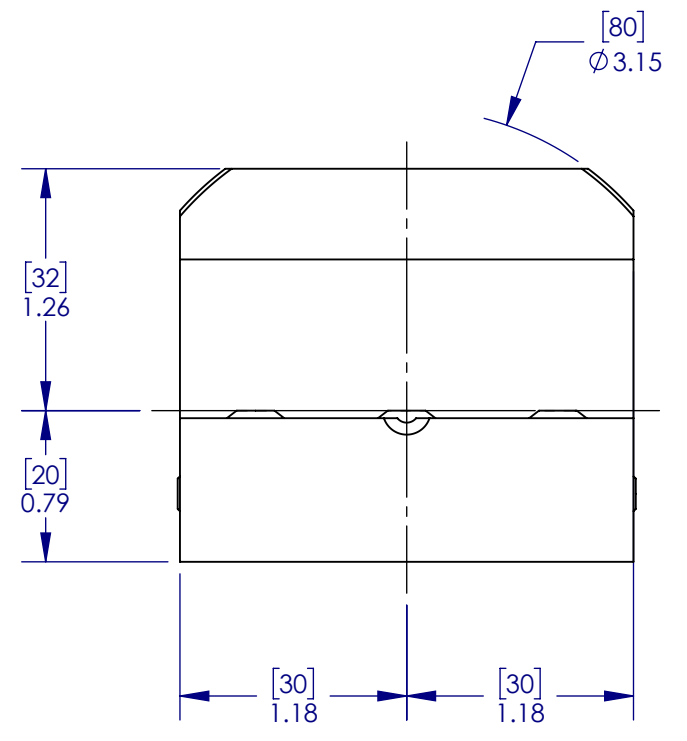
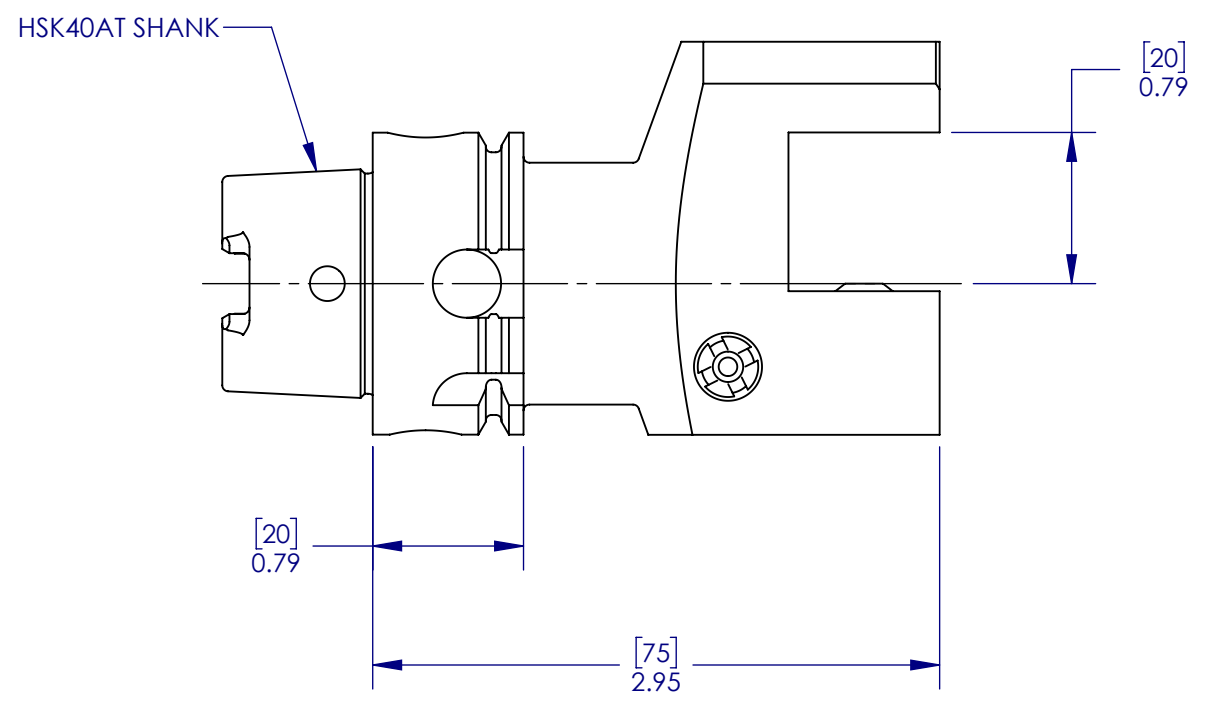
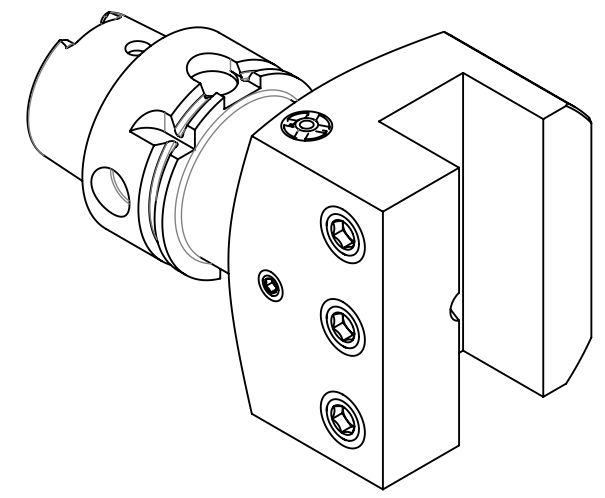
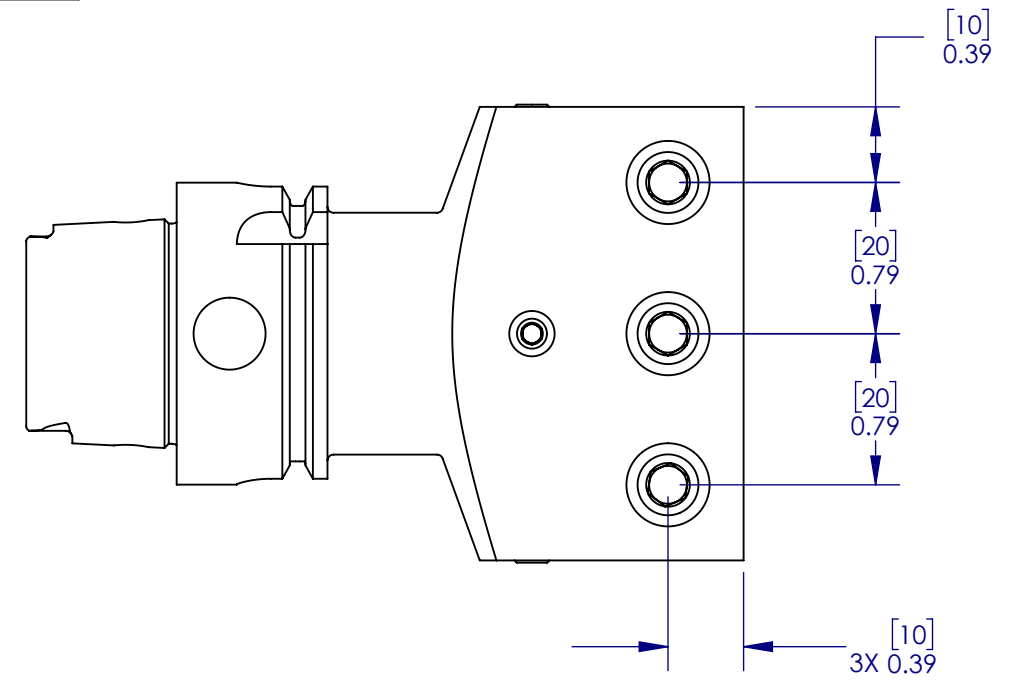



DRAWING NUMBER  
**1041235-W**

REVISION	DESCRIPTION OF CHANGE	DATE	ECO NUMBER	APPROVED BY
PRE-01	INITIAL DESIGN	06/01/2021	ECO-108145	K. THAO



PART NUMBER <b>5.HSK40AT20</b>		DRAWING NUMBER <b>1041235-W</b>		
 <b>Tool Technologies</b> Weigele GmbH & Co. KG Maybachstr. 1 D-73066 Uhingen Tel. +49 7161 / 93040-100		MODEL STATE <b>ISO-13399 CONFIGURATION</b>		
		DESIGN STATUS PRE-PRODUCTION	REV. PRE-01	
DRAWN BY K. THAO	DATE 06/01/2021	SCALE 1:1	SIZE <b>B</b>	SHEET 1 OF 1