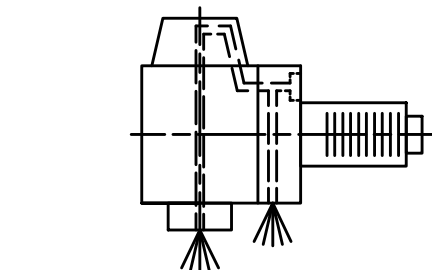
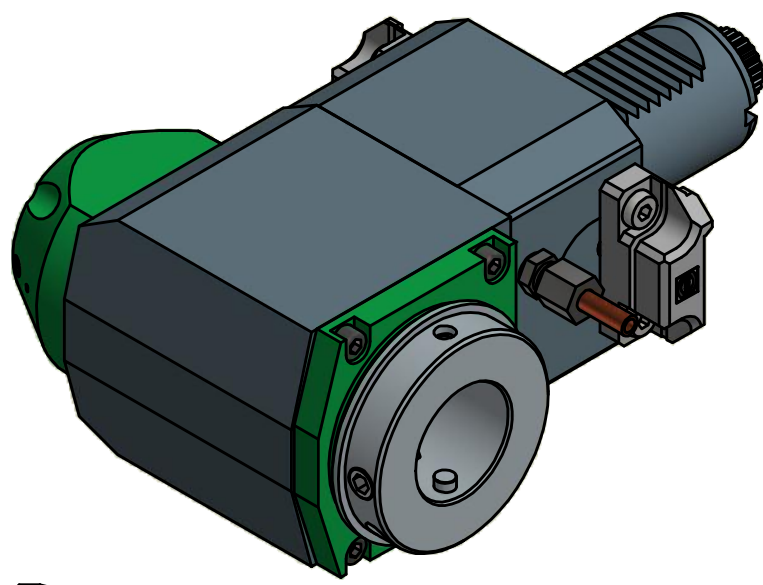
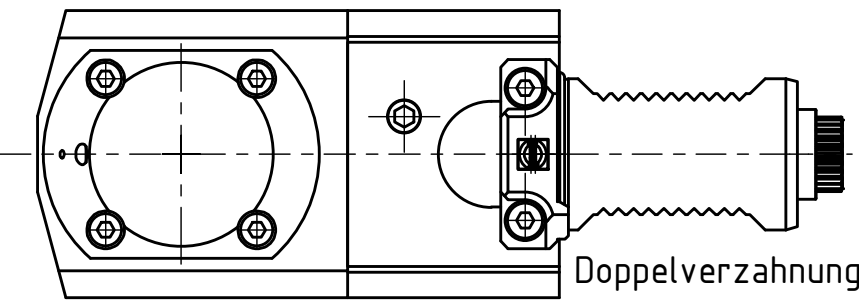


Trifix Anzugsdrehmoment 50 Nm  
 Trifix clamping torque 50 Nm




Innen- und Aussenkuehlung / Inside and outside coolant supply  
 Kein Trockenlauf / No dry run  
 Kuehlmittelfiltrierung-50µ / coolant filtration-50µ



Doppelverzahnung Lizenz Traub  
 double tooth system licence Traub

Copyright **EWS Tool Technologies**  
 Weitergabe und Vervielfaeltigung dieser Unterlage,  
 Verwertung und Mitteilung ihres Inhalts nicht  
 gestattet, soweit nicht ausdrecklich zugestanden.  
 Zuwiderhandlungen verpflichten zu Schadenersatz.

<p>Bemerkung - Note</p> <p>Nicht ohne Kuehlmittel betreiben!  <i>Not for use without coolant-fluid!</i></p>	<p>Technische Daten - technical data</p> <p>Weight = 7.180 [kg]          Torque max. (M1/M2) = 50 / 50 [Nm]          Speed max. (n1/n2) = 6000 / 6000 [1/min]          Gear ratio (i)=n1:n2 = 1:1          Pressure (pmax) = 70 [bar]</p>	<p>Benennung - Title</p> <p>Radial Bohr und Fräskopf  <i>Radial drilling and milling head</i></p>	<p><b>EWS</b>          Tool Technologies</p> <p><small>EWS Weigele GmbH &amp; Co. KG          Maybachstr. 1          D-73066 Uehingen          www.ews-tools.de</small></p> <p>Nr. - No.  <b>60.40V4CTXRLIKTFR</b></p>	<p>Technische Aenderungen vorbehalten!  <i>Subject to technical modifications!</i></p> <p>IDENT: DEWS064625</p> <p>REV: -/A</p>	<p></p> <p>MNR.  <b>165162</b></p> <p><b>QR</b></p>
-----------------------------------------------------------------------------------------------------------------	-----------------------------------------------------------------------------------------------------------------------------------------------------------------------------------------------------------------------------------------------------------	-------------------------------------------------------------------------------------------------------	--------------------------------------------------------------------------------------------------------------------------------------------------------------------------------------------------------------------------------------------	-------------------------------------------------------------------------------------------------------------------------------------	----------------------------------------------------------------------------------------------------------------------------------------------