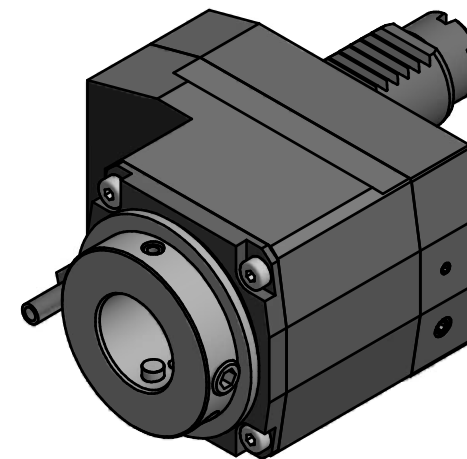



Innen- und Aussenkuehlung / Inside and outside coolant supply
 Kein Trockenlauf / No dry run
 Kuehlmittelfiltrierung <math>< 50\mu</math> / coolant filtration <math>< 50\mu</math>



Copyright **EWS Tool Technologies**
 Weitergabe und Vervielfaeltigung dieser Unterlage,
 Verwertung und Mitteilung ihres Inhalts nicht
 gestattet, soweit nicht ausdrecklich zugestanden.
 Zuwiderhandlungen verpflichten zu Schadenersatz.

<p>Bemerkung - Note</p> <p>Nicht ohne Kuehlmittel betreiben! <i>Not for use without coolant-fluid!</i></p> <p>Schutzrecht angemeldet Trademark right applied</p>	<p>Technische Daten - technical data</p> <p><i>Weight</i> = 3.530 [kg] <i>Torque max.</i> (M1/M2) = 24 / 12 [Nm] <i>Speed max.</i> (n1/n2) = 6000 / 12000 [1/min] <i>Gear ratio</i> (i)=n1:n2 = 1:2 <i>Pressure</i> (pmax) = 70 [bar]</p>	<p>Benennung - Title</p> <p>Axial Bohr u. Fräskopf achsversetzt Ax. drill. and mill. head offset</p>	<p>EWS Tool Technologies <small>EWS Weigele GmbH & Co. KG Maybachstr. 1 D-73066 Uhingen www.ews-tools.de</small></p> <p>Nr. - No. 50.30V3TOEMRIK1</p>	<p>Technische Aenderungen vorbehalten! <i>Subject to technical modifications!</i></p> <p>IDENT: D-EWS-005772</p>	<p></p> <p>REV: A/-</p> <p>MNR. 156965</p> <p>QR</p>
------------------------------------------------------------------------------------------------------------------------------------------------------------------------------------------	---------------------------------------------------------------------------------------------------------------------------------------------------------------------------------------------------------------------------------------------------------------	-------------------------------------------------------------------------------------------------------------------------	--------------------------------------------------------------------------------------------------------------------------------------------------------------------------------------------------------------------	-----------------------------------------------------------------------------------------------------------------------	--------------------------------------------------------------------------------------------------------------------------------------------------------------